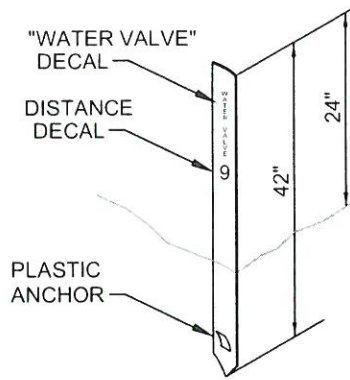


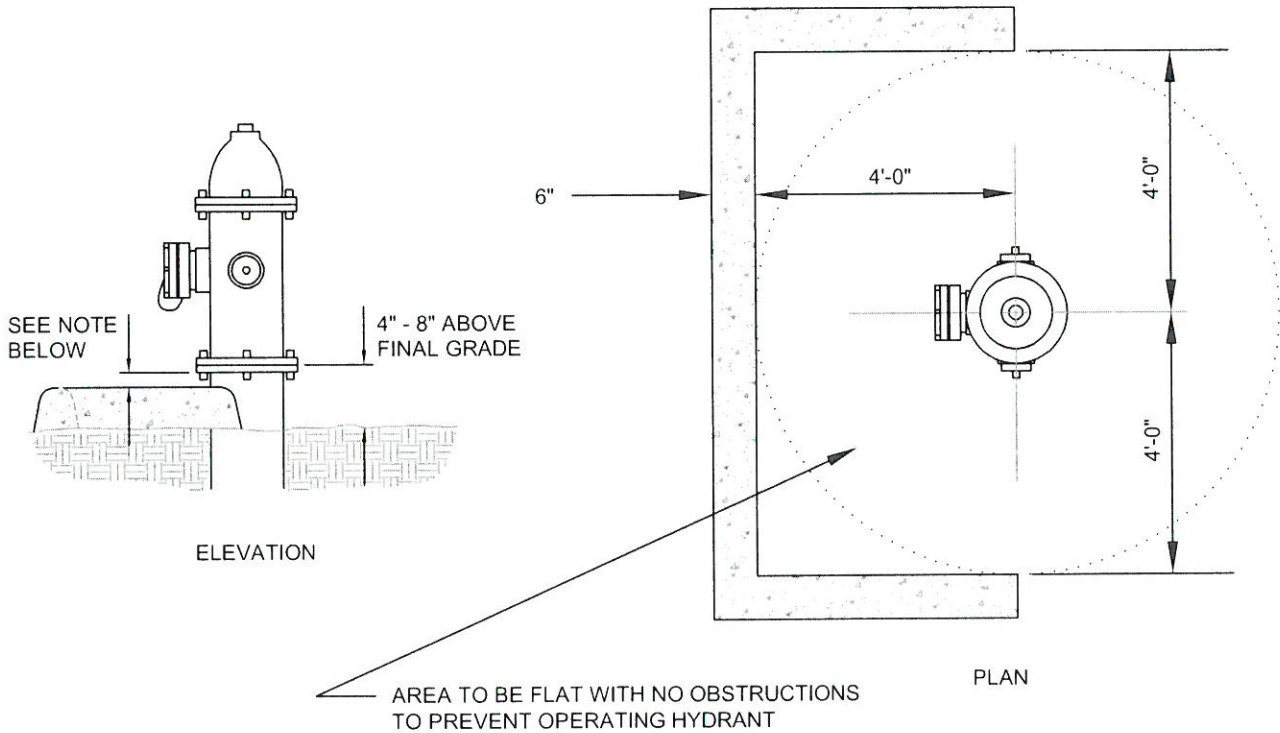
VALVE MARKER POSTS



NOTES:

- NEATLY STENCIL DISTANCE TO VALVE ON POST W/2" REFLECTIVE NUMERALS USING DECALS OR WHITE ENAMEL PAINT.
- SEE APPROVED MATERIALS LIST.

EXTRUDED CURBING



NOTES:

- FIRE HYDRANT SHALL BE PROTECTED BY 6" HIGH EXTRUDED CURBING WHERE DIRECTED BY HWD.
- IF AREA WITHIN PROTECTIVE CURBING IS FILLED IN, THE MIDDLE OF THE HYDRANT BREAKAWAY FLANGE IS REQUIRED TO HAVE A CLEARANCE OF 4" TO 8" ABOVE THE FINAL GRADE.
- BOLLARDS MAY BE REQUIRED UPON DIRECTION OF DISTRICT.

VALVE MARKER POST AND EXTRUDED CURBING FOR HYDRANTS

NTS

APPROVAL DATE 10/21/2020	DRAWN SED	CHECKED DS	
PLOTING SCALE NTS		DETAIL NUMBER HWD STANDARD DETAIL 11	

*BD
10/20/20*

