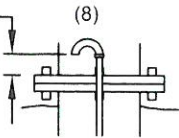
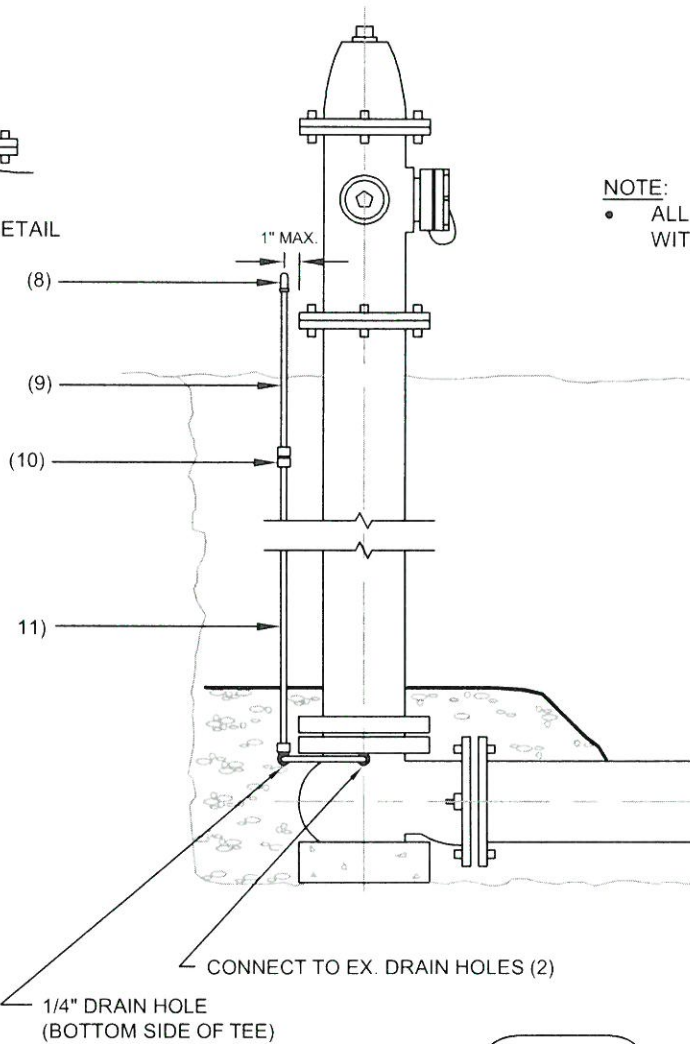


2" TO 4"
(TOP OF FLANGE)



BLEEDER DETAIL

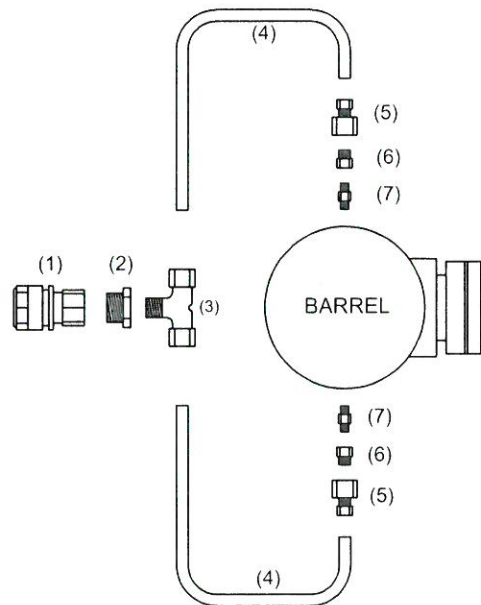


NOTE:

- ALL HYDRANTS SHALL BE EQUIPPED WITH A DRAIN KIT.

CONNECT TO EX. DRAIN HOLES (2)
1/4" DRAIN HOLE
(BOTTOM SIDE OF TEE)

- 1) 2 - 3/4" FIP X 110 CTS ADAPTORS
- 2) 1 - 3/4" X 1/2" BRASS HEX BUSHING
- 3) 1 - 1/2" BRASS TEE (COMP X MIP) W/1/4" HOLE
- 4) 2 - 3/8" COPPER PIPE (BENT)
- 5) 2 - 1/2" FIP X 3/8" COMP BRASS UNIONS
- 6) 2 - 3/8" X 1/8" BRASS HEX BUSHINGS
- 7) 2 - 1/8" X 1/8" BRASS STR HEX NIPPLES
- 8) 1 - 3/4" RETURN BEND (GALV)
- 9) 1 - 3/4" X 18" GALV. NIPPLE
- 10) 1 - 3/4" ADAPTOR (FIP X COMP)
- 11) 3/4" TYPE K COPPER PIPE (LENGTH AS REQUIRED)



EXPLODED VIEW

HYDRANT DRAIN KIT

NTS



APPROVAL DATE
10/21/2020

DRAWN
SED

CHECKED
DS

PLOTTING SCALE
NTS

DETAIL NUMBER
HWD STANDARD DETAIL 9

Handwritten signature and date: DS 10/28/20