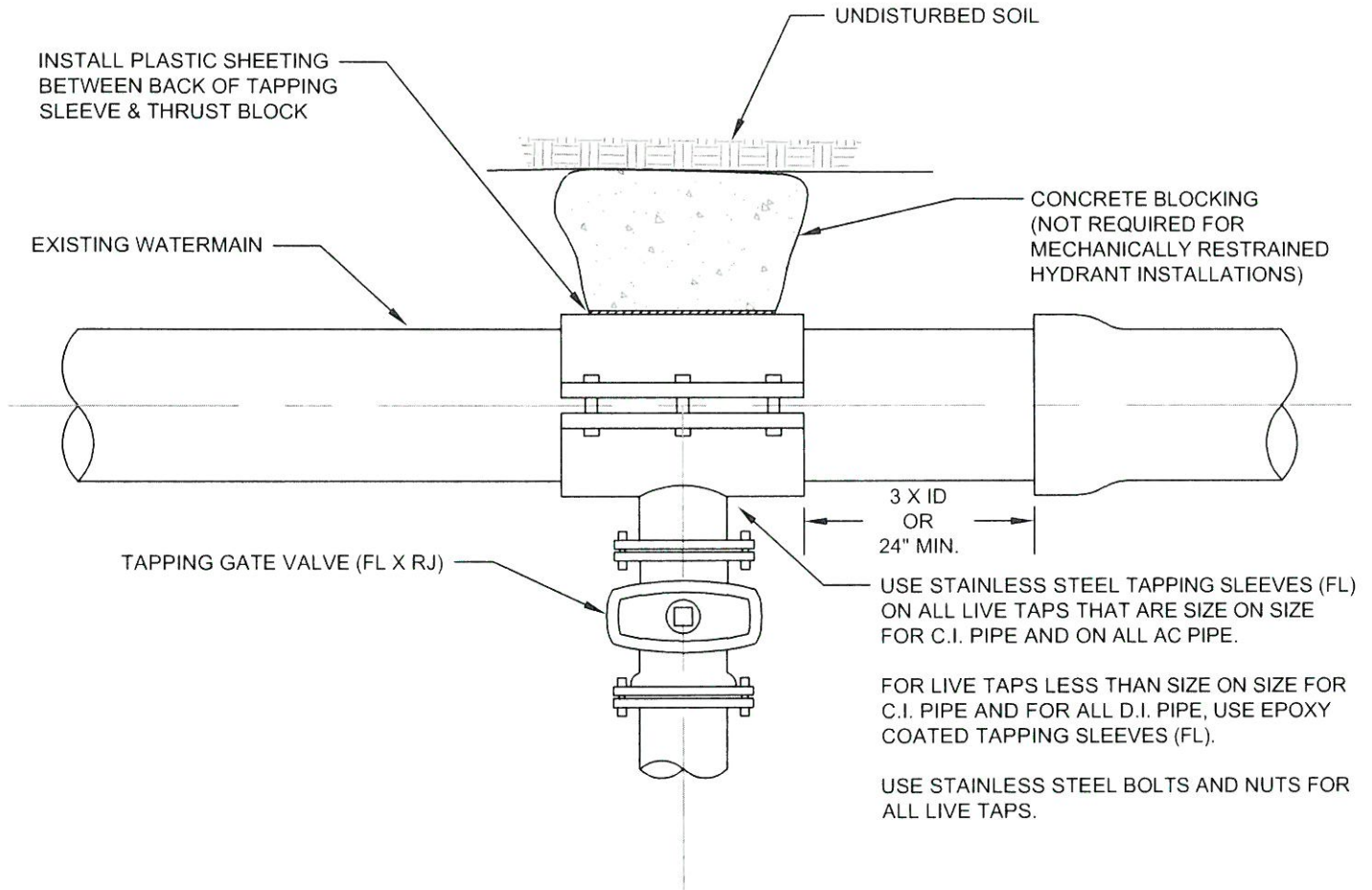


LIVE TAP MAINS



USE STAINLESS STEEL TAPPING SLEEVES (FL) ON ALL LIVE TAPS THAT ARE SIZE ON SIZE FOR C.I. PIPE AND ON ALL AC PIPE.

FOR LIVE TAPS LESS THAN SIZE ON SIZE FOR C.I. PIPE AND FOR ALL D.I. PIPE, USE EPOXY COATED TAPPING SLEEVES (FL).

USE STAINLESS STEEL BOLTS AND NUTS FOR ALL LIVE TAPS.

NOTES:

- NO CONNECTION TO EXISTING MAINS SHALL BE ALLOWED WITHOUT AUTHORIZATION BY THE DISTRICT.
- NO SIZE ON SIZE LIVE TAPS WILL BE ALLOWED ON ASBESTOS CEMENT (AC) WATERMAINS OR ON MAINS SMALLER THAN 8" DIAMETER.
- FOR AC MAINS, NO SIZE-ON-SIZE LIVE TAPS OR LIVE TAPS ON 4" OR 6" PIPE ALLOWED.
- VALVE MARKER POST REQUIRED PER HWD STANDARD.
- PROVIDE SUPPORT BLOCK & COMPACTED BEDDING MATERIAL UNDER TAPPING VALVE.
- AIR PRESSURE TEST FOR LIVE TAP CONNECTION REQUIRED FOR LEAK CHECK AT 100 PSI.
- ALL FITTINGS SHALL BE DISINFECTED PRIOR TO INSTALLATION.
- ALL MECHANICAL JOINTS (MJ) SHALL BE EQUIPPED WITH A MECHANICAL RESTRAINT DEVICE (SEE STANDARDS).
- ALL VALVES & FITTINGS SHALL BE OF DOMESTIC MANUFACTURE.

LIVE TAP
NTS



APPROVAL DATE 10/21/2020	DRAWN SED	CHECKED DS
PLOTTING SCALE NTS	DETAIL NUMBER HWD STANDARD DETAIL 2	

JSD
10/28/20