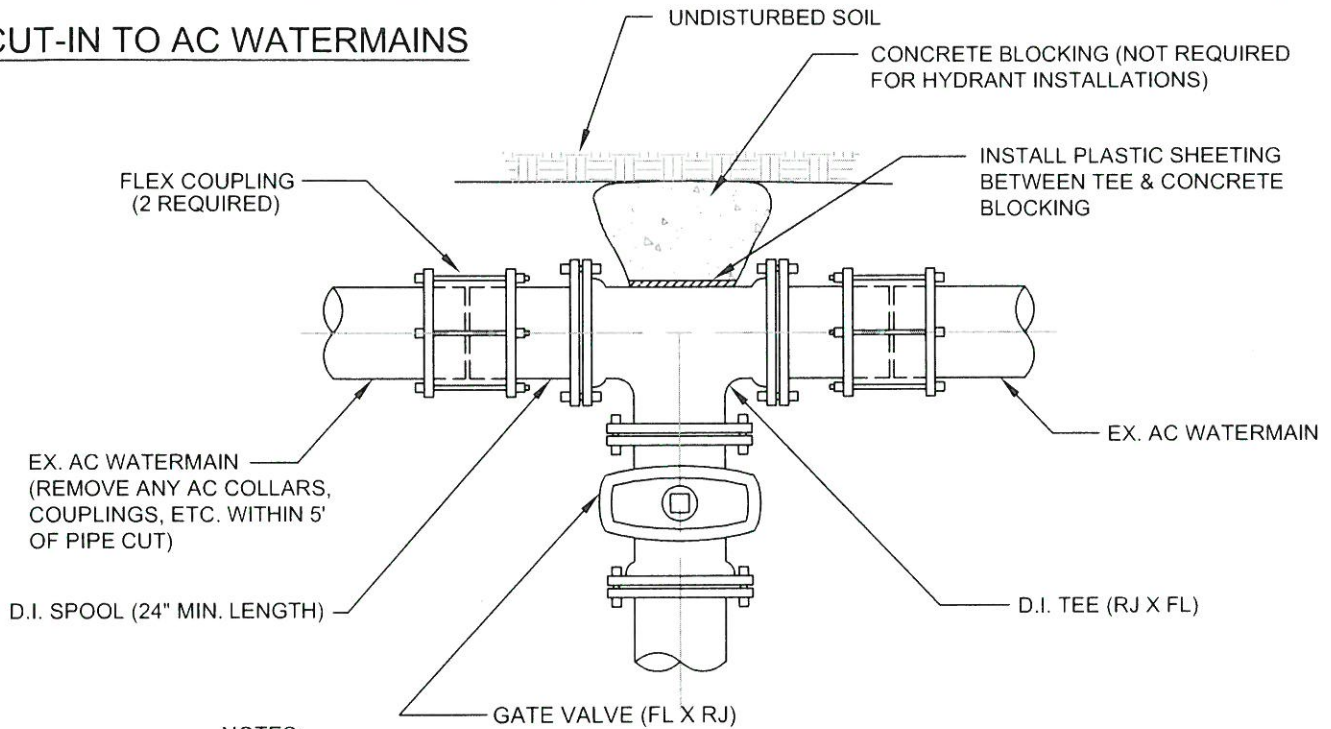


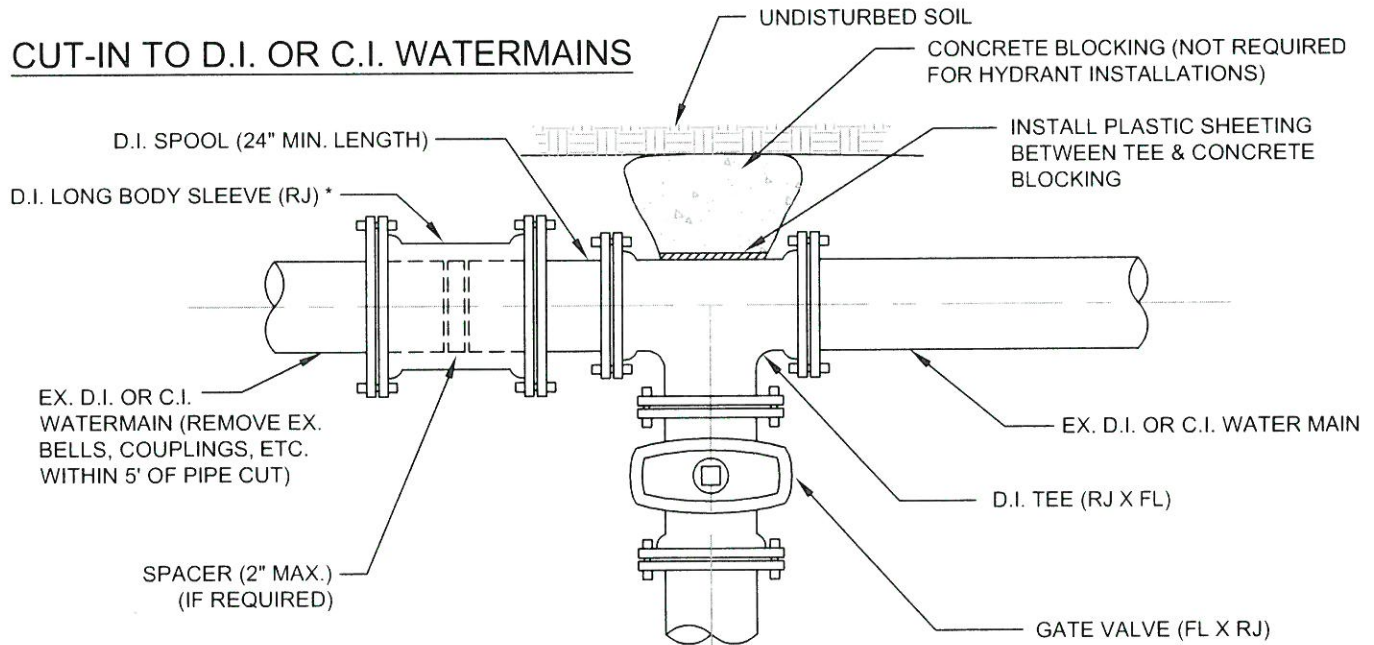
CUT-IN TO AC WATERMAINS



NOTES:

- NO CONNECTIONS WILL BE ALLOWED TO EXISTING MAINS WITHOUT PRIOR AUTHORIZATION OF THE DISTRICT.
- ALL MECHANICAL JOINTS (MJ) SHALL BE EQUIPPED WITH A MECHANICAL RESTRAINT DEVICE (SEE STANDARDS).
- VALVE MARKER POST REQUIRED PER HWD STANDARD.
- SEE APPROVED MATERIALS LIST.
- ALL PIPE & FITTINGS SHALL BE DISINFECTED PRIOR TO INSTALLATION.
- PROVIDE SUPPORT BLOCK & COMPACTED BEDDING MATERIAL UNDER TEE & VALVES
- AC HANDLING CERTIFICATION REQUIRED FOR CUTTING EXISTING AC PIPE.
- ALL VALVES & FITTINGS SHALL BE OF DOMESTIC MANUFACTURE.

CUT-IN TO D.I. OR C.I. WATERMAINS



* OPTIONAL 2 SLEEVE CUT-IN ALLOWED (MODIFY ACCORDINGLY)

CUT-IN USING SINGLE VALVE

NTS



APPROVAL DATE 10/21/2020	DRAWN SED	CHECKED DS
PLOTTING SCALE NTS	DETAIL NUMBER HWD STANDARD DETAIL 3	

JSD
10/28/20