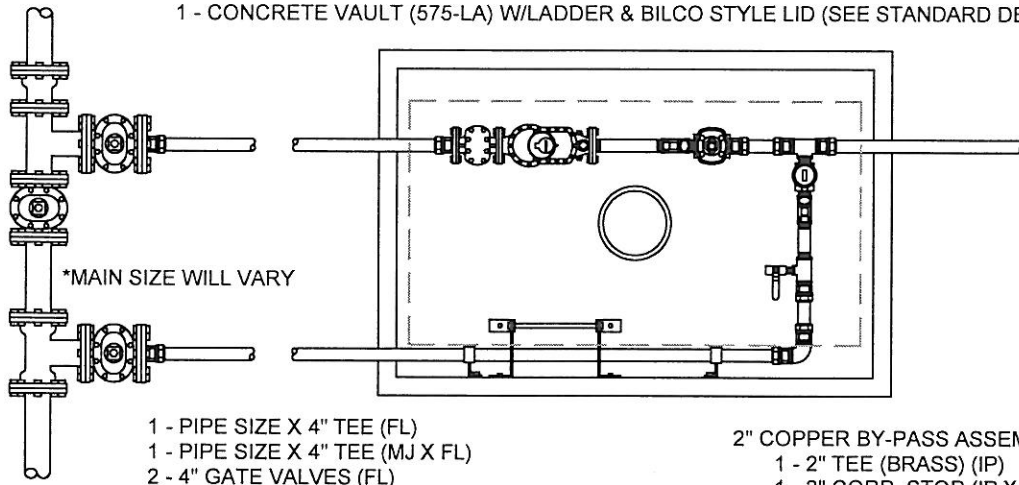


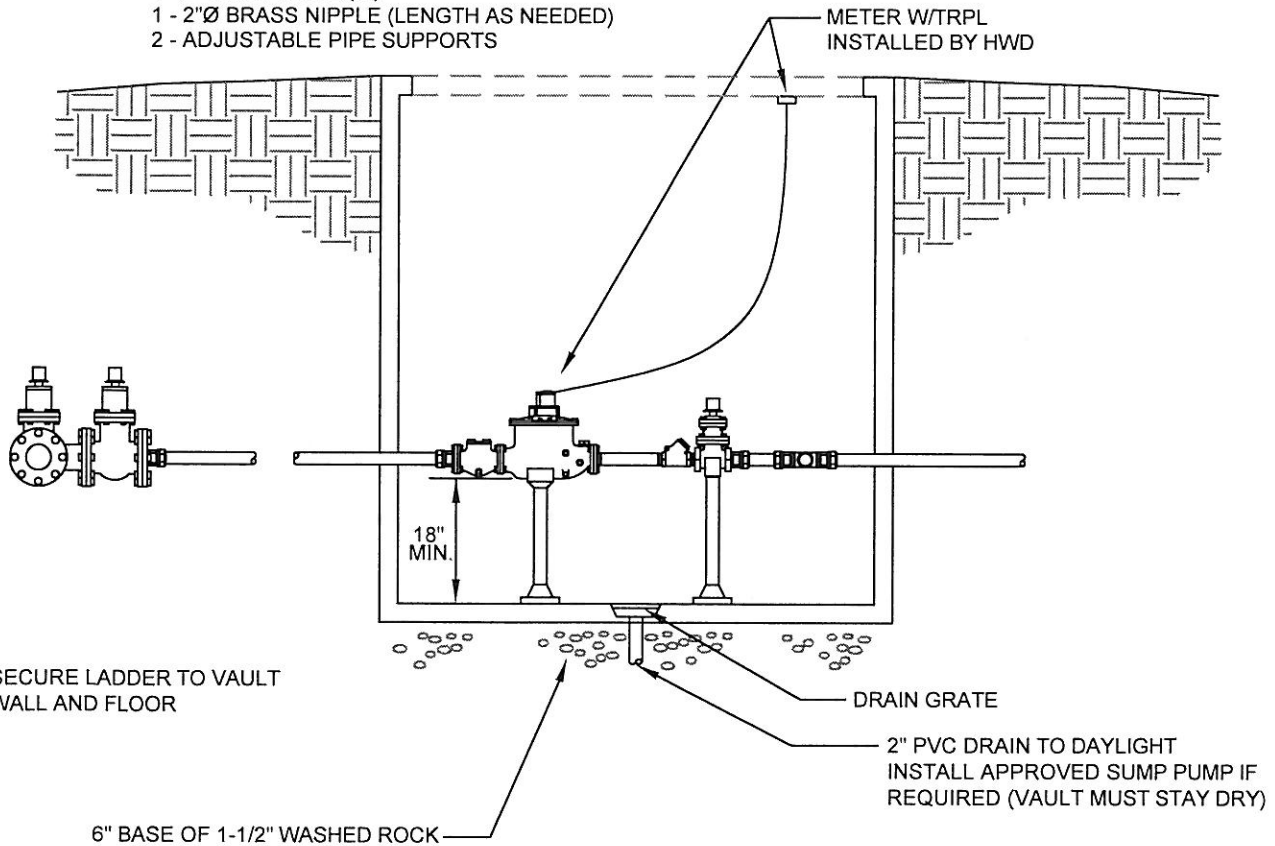
1 - CONCRETE VAULT (575-LA) W/LADDER & BILCO STYLE LID (SEE STANDARD DETAIL #32).



- 1 - PIPE SIZE X 4" TEE (FL)
- 1 - PIPE SIZE X 4" TEE (MJ X FL)
- 2 - 4" GATE VALVES (FL)
- 1 - PIPE SIZE GATE VALVE (FL X MJ)
- 1 - PIPE SIZE D.I. SPOOL (PE)
- 4 - PIPE SIZE MEGALUG GLANDS
- 1 - PIPE SIZE ADAPTOR (FL X MJ)
- 2 - 4" BLIND FLANGES W/2" TAP (IP)
- 1 - 2" BRONZE BASKET STRAINER (FL)
- 1 - 2" ROCKWELL COMPOUND METER (FL) W/TRPL
- 4 - 2" ADAPTORS (FL X IP)
- 3 - 2" ADAPTORS (MIP X COMP) (BRASS)
- 1 - 2"Ø X 12" BRASS NIPPLE
- 1 - 2" CHECK VALVE (IP)
- 1 - 2" GATE VALVE (IP)
- 1 - 2"Ø BRASS NIPPLE (LENGTH AS NEEDED)
- 2 - ADJUSTABLE PIPE SUPPORTS

2" COPPER BY-PASS ASSEMBLY:

- 1 - 2" TEE (BRASS) (IP)
  - 1 - 2" CORP. STOP (IP X COMP)(BRASS)
  - 5 - 2" ADAPTORS (IP X COMP)(BRASS)
  - 1 - 2" 90° BEND (IP)(BRASS)
  - 1 - 2" CHECK VALVE (IP)(BRASS)
  - 1 - 2" X 3/4" TEE (IP)(BRASS)
  - 1 - 3/4" BALL VALVE (IP)(BRASS)
  - 2" HARD COPPER PIPE (LENGTH TBD)
  - 3 - BRASS NIPPLES (LENGTH AS NEEDED)
- SECURE COPPER PIPE TO VAULT WALL



METER SUPPLIED BY HIGHLINE WATER DISTRICT.  
DEVELOPER TO MAKE APPLICATION FOR METER WITH HWD.

\*\* RETROFIT MAY VARY

**NEW 2" COMPOUND METER INSTALLATION W/ BYPASS**

NTS



REVISION DATE 12/8/08	DRAWN SED	CHECKED TDK	DISTRICT APPROVED TDK
PLOTTING SCALE NTS	FILE NAME F:\DWGS\DETAILS-2004\HWD-022A	DATE APPROVED XX/XX/08	

22A