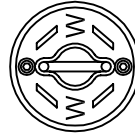
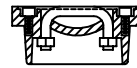


2 - 3/8" X 1 1/2" SS ALLEN HEAD BOLTS FOR LOCKING VALVE BOX LID TO BE USED WITH HIGHLINE WATER DISTRICT STANDARD DETAILS FOR DDCVA INSTALLATION, OR AS DIRECTED BY HWD ENGINEER OR DESIGNEE.

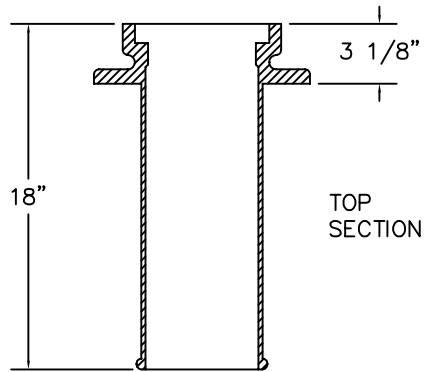


LOCKING LID (PLAN)

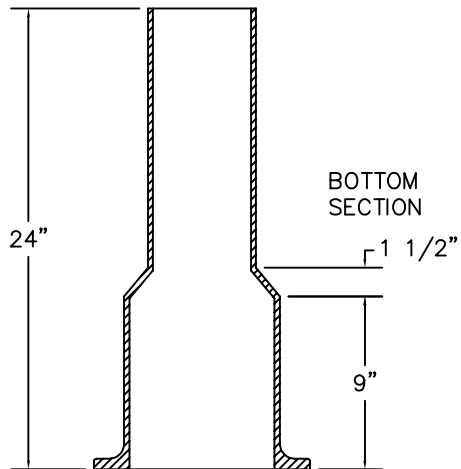


LOCKING LID (PROFILE)

1 - OLYMPIC FOUNDRY OR EQUAL CAST IRON VALVE BOX ASSY. WITH LOCKING LID OPTION.



SOIL PIPE TO BE USED FOR VALVE BOX EXTENSION ONLY



APWA LOCKING VALVE BOX
NTS



REVISION DATE 1/12/04	DRAWN SED	CHECKED TDK	DISTRICT APPROVED TDK
PLOTTING SCALE NTS	FILE NAME F:\DWGS\DETAILS-2000\HWD-033	DATE APPROVED 3/1/04	