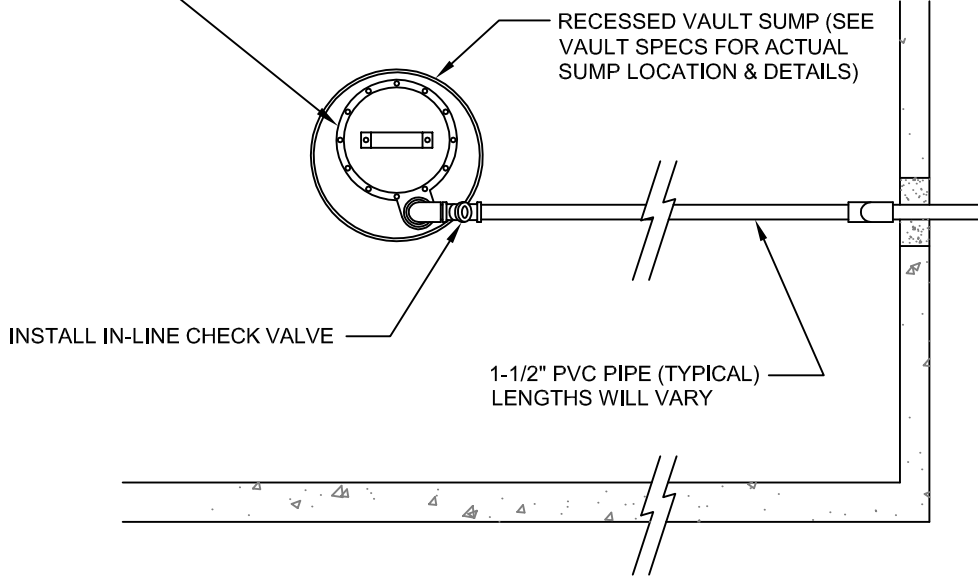
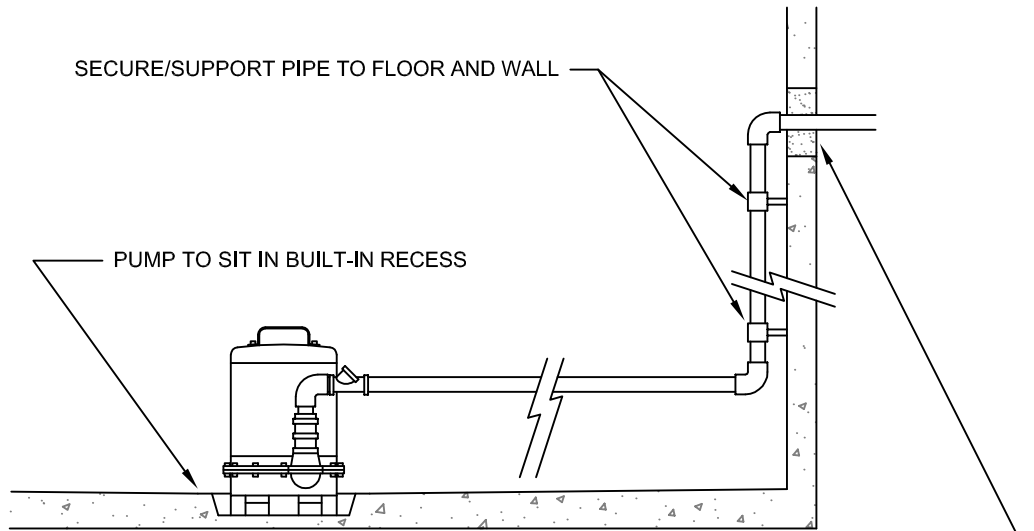


USE ZOELLER MDL #2P548, LITTLE GIANT MDL # 3P641  
 SUBMERSIBLE PUMP OR APPROVED EQUIVALENT.  
 (SEE GRAINGER INDUSTRIAL SUPPLY CATALOG)



PLAN



PROFILE

FILL WITH EXPANDABLE  
 EPOXY GROUT

## SUMP PUMP INSTALLATION

NTS



REVISION DATE 7/10/08	DRAWN SED	CHECKED TDK	DISTRICT APPROVED TDK
PLOTTING SCALE NTS	FILE NAME F:\DWGS\DETAILS-2000\HWD-026	DATE APPROVED 7/10/08	