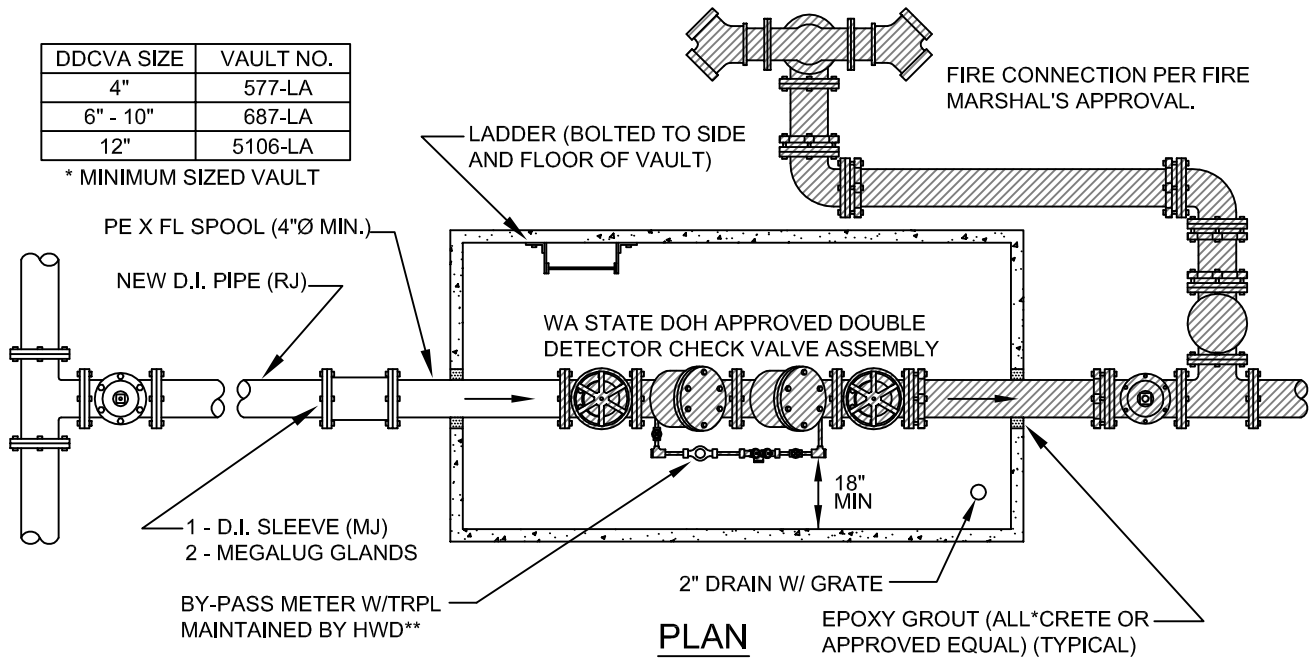


CONCRETE VAULT SHALL BE EQUIPED W/BILCO STYLE LID. SEE HIGHLINE WATER DISTRICT STANDARD DETAIL #32.

DDCVA SIZE	VAULT NO.
4"	577-LA
6" - 10"	687-LA
12"	5106-LA

* MINIMUM SIZED VAULT



PLAN

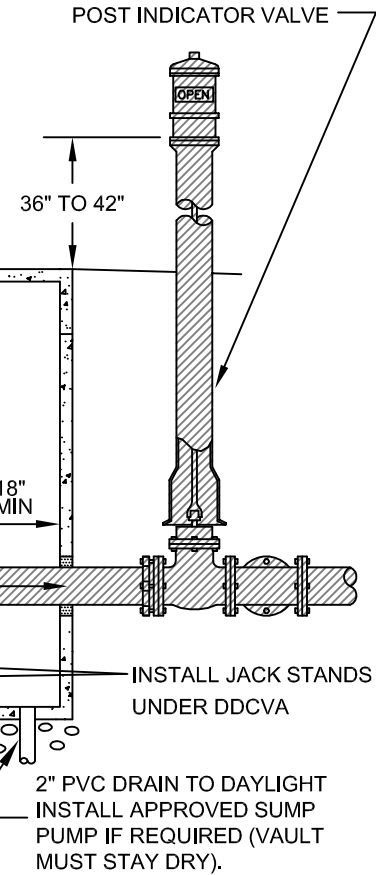
COVER SHALL NOT EXTEND MORE THAN 6" ABOVE GRADE WHEN VAULT IS NOT IN TRAFFIC AREA.
 SLOPE PAVEMENT AWAY FROM COVER WHEN VAULT IS IN TRAFFIC AREA.
 INSTALL VALVE MARKER POST PER HWD STANDARD DETAIL #10.
 VAULT SHALL BE OF ADEQUATE HEIGHT TO PROVIDE MIN. 6" CLEARANCE TO O,S&Y VALVE WHEN VALVE IS FULLY OPEN.
 INSTALL LOCKING VALVE BOX LID ON VALVE CONTROLLING SUPPLY LINE TO DDCVA'S.
 INSTALL ALARM SYSTEM AS REQUIRED BY FIRE DISTRICT.
 **BY-PASS METER SHALL BE 5/8" X 3/4" SENSUS SR-II MODEL WITH ELECTRONIC REGISTER & PLUG-IN CONNECTORS.
 WATERPROOF PIPE ENTRY THROUGH VAULT WALLS W/ KRYTON MORTAR SEALANT.



INSTALL JOINT SEALANT BETWEEN EACH VAULT SECTION (USE KENT-SEAL, RAM-NEK OR APPROVED EQUAL)

USE KRYTOL SPECIFICATION #2 (BY KRYTON) FOR SPECIFICATIONS, MATERIAL LIST AND DIRECTIONS.

6" BASE OF 1 1/2" WASHED ROCK



SECTION

DOUBLE DETECTOR CHECK AND VAULT W / FDC

NTS



REVISION DATE 7/10/08	DRAWN SED	CHECKED TDK	DISTRICT APPROVED TDK
PLOTTING SCALE NTS	FILE NAME F:\DWGS\DETAILS-2004\HWD-017	DATE APPROVED 7/10/08	