

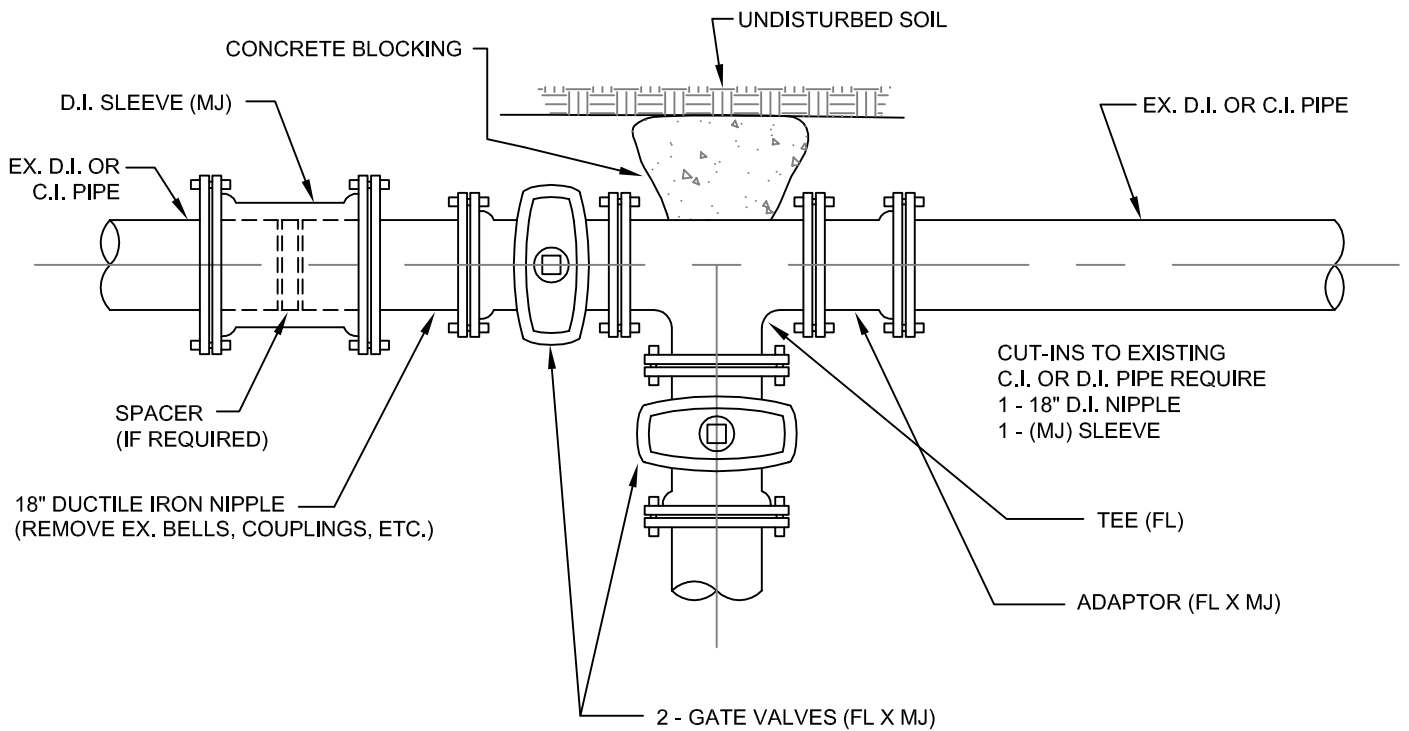
NOTES: ALL CONNECTIONS TO EXISTING MAINS WILL BE MADE WITH HWD AFTER REQUIRED TESTING.

ANY CONNECTIONS TO RESTRAINED JOINT PIPE SHALL ALSO BE RESTRAINED JOINT.

VALVE MARKER POSTS REQUIRED PER HWD STANDARD DETAIL #10.

DISINFECT FITTINGS & PIPE USED BEFORE MAKING CONNECTION. PROVIDE SUPPORT BLOCK UNDER TEE AND VALVES.

CUT-INS TO EXISTING AC WATER MAIN REQUIRE:  
 2 - 18" MIN. D.I. NIPPLES  
 2 - ROMAC FLEX COUPLINGS



CUT-INS TO EXISTING C.I. OR D.I. PIPE REQUIRE  
 1 - 18" D.I. NIPPLE  
 1 - (MJ) SLEEVE

### CUT-IN USING TWO VALVES

NTS



REVISION DATE 1/7/04	DRAWN SED	CHECKED TDK	DISTRICT APPROVED TDK
PLOTTING SCALE NTS	FILE NAME F:\DWGS\DETAILS-2004\HWD-003	DATE APPROVED 3/1/04	