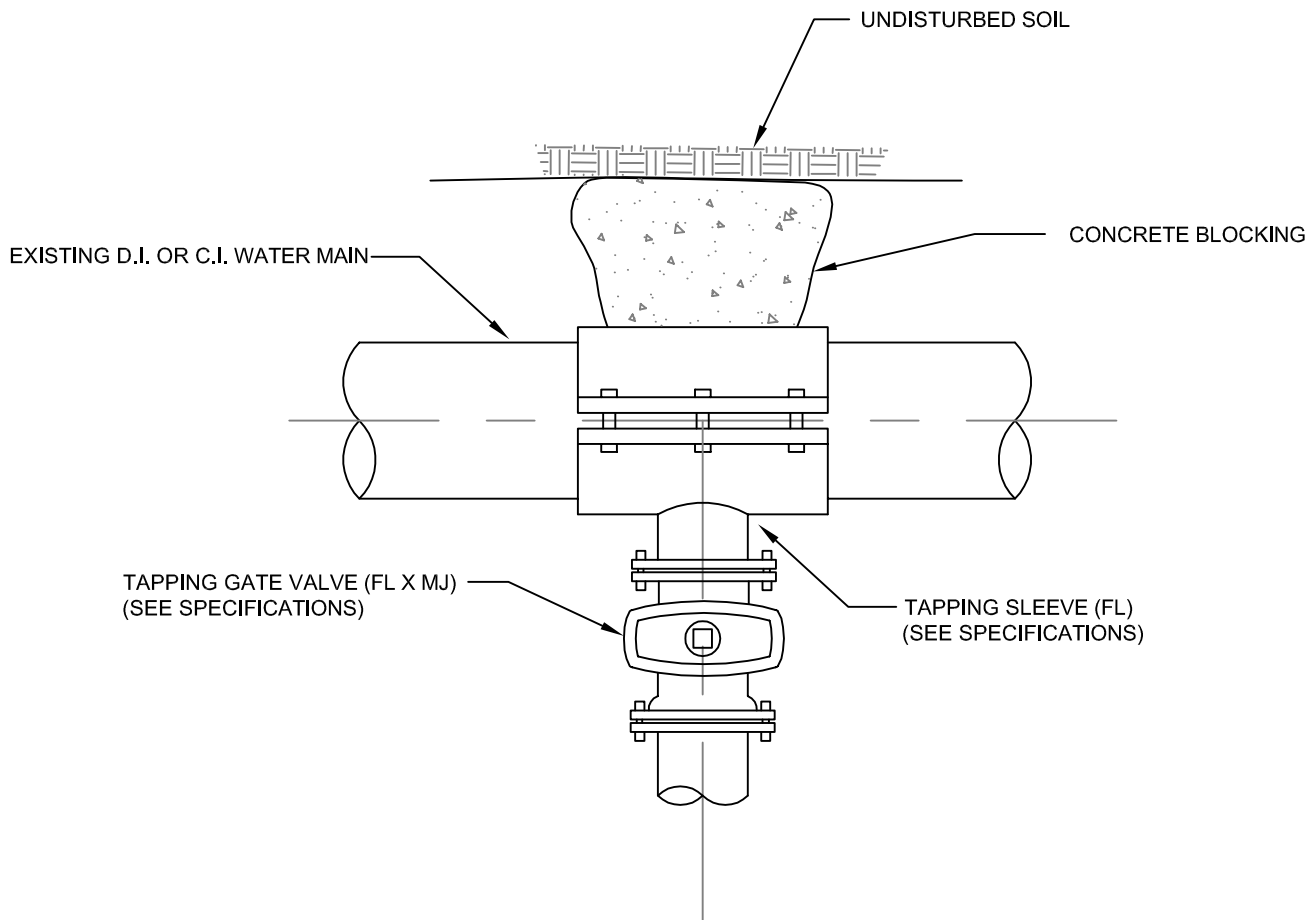


# LIVE TAP MAINS



NOTE: ALL CONNECTIONS TO EXISTING MAINS WILL BE MADE WITH HWD AFTER REQUIRED TESTING.

HIGHLINE WATER DISTRICT ONLY ALLOWS LIVE TAPS TO ASBESTOS CEMENT (AC) WATER MAINS GREATER THAN 8" DIAMETER. SEE CUT-IN DETAIL(S).

VALVE MARKER POST REQUIRED PER HWD STANDARD DETAIL #10.

PROVIDE SUPPORT BLOCK UNDER TAPPING VALVE.

## LIVE TAP

NTS



REVISION DATE 1/5/04	DRAWN SED	CHECKED TDK	DISTRICT APPROVED TDK
PLOTTING SCALE NTS	FILE NAME F:\DWGS\DETAILS-2004\HWD-001	DATE APPROVED 3/1/04	